

# CAROUSEL SNEEZE GUARD



*Front view of Carousel*



*Stand alone half-round Carousel with standard Carousel stands*

**Suggestion:**

*Add two straight portable guards between each half of the Carousel for a oval setup and unique food presentation.*



ANSI/NSF 2

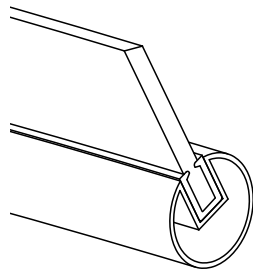
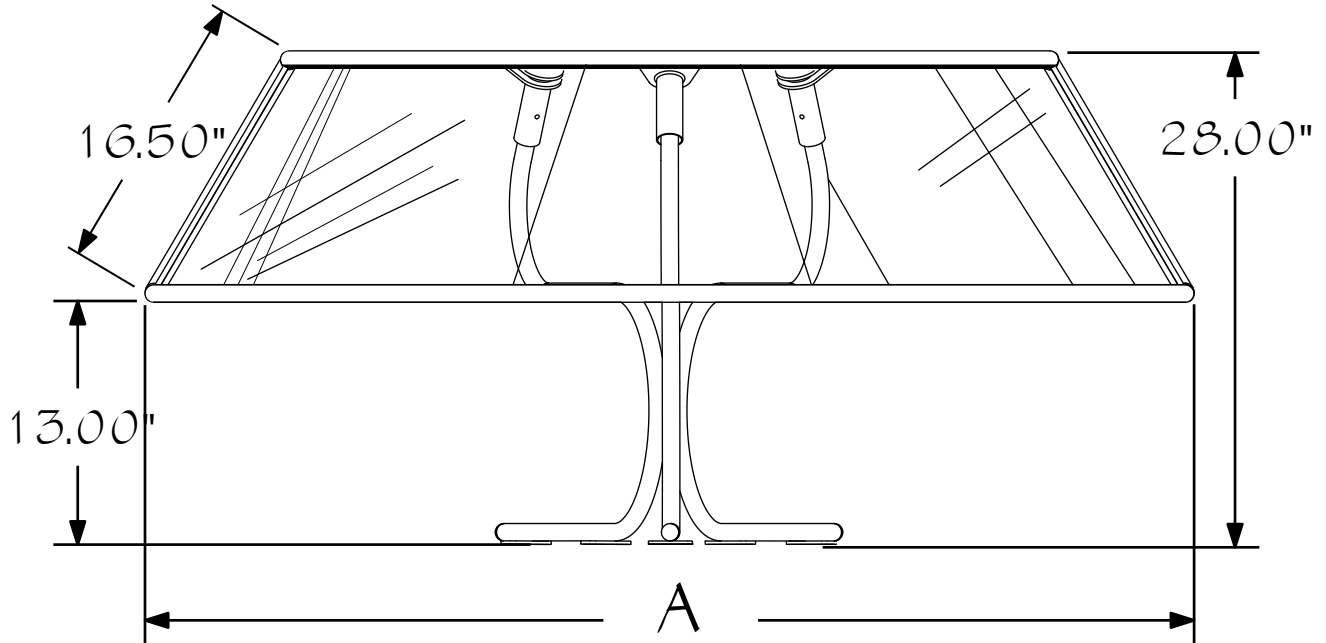
\* Images are computer renderings, not actual photos, some color variance may occur from what is rendered to the actual powder coat finish.

Phone: 800-569-2056

Fax: 573-449-7126

[www.sneezeguardsolutions.com](http://www.sneezeguardsolutions.com)

# SPECIFICATIONS



- Exclusive extruded 1" Groove Tube
- Mounted in rubber gasket
- 1.25" aluminum stands
- Scratch resistant acrylic food shield
- Powder coated finish

<i>Black</i>	<i>Gold</i>	<i>Description</i>	<i>Dimensions "A"</i>	<i>Weight</i>
4001	4002	Carousel	60" Round	27 lbs
4101	4102	Half-Round	60" Diameter	15 lbs
4201	4202	Carousel	72" Round	30 lbs
4301	4302	Half-Round	72" Diameter	17 lbs

*Add HP after model number to indicate that Hi-profile stands are desired for 18" wrist clearance.*

CAROUSEL GUARD