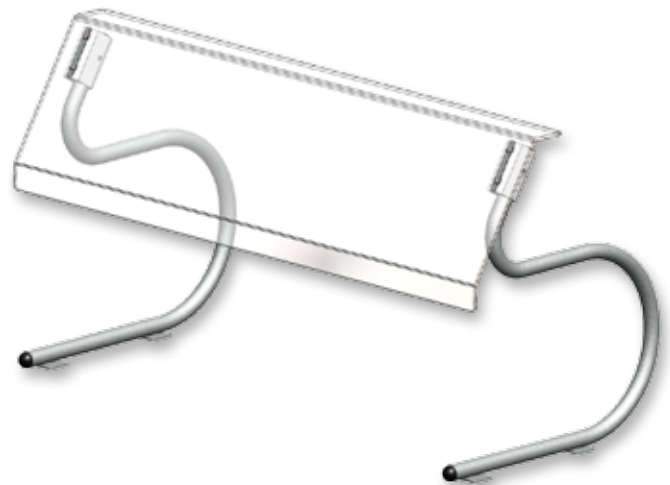


CLEARVUE PORTABLE SNEEZE GUARD



- *Use 1 for single sided service or 2 back to back for double sided table service.*
- *13" Wrist Clearance.*
- *Designed to fit standard sized banquet tables.*



CLEARVUE GUARD

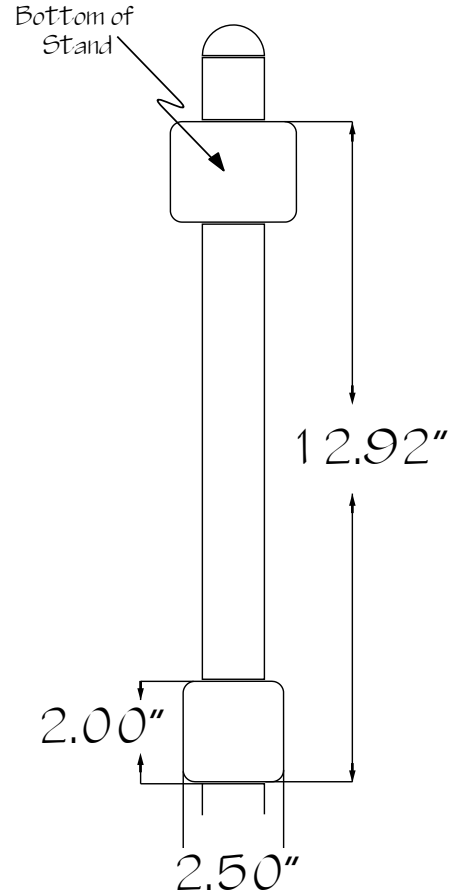
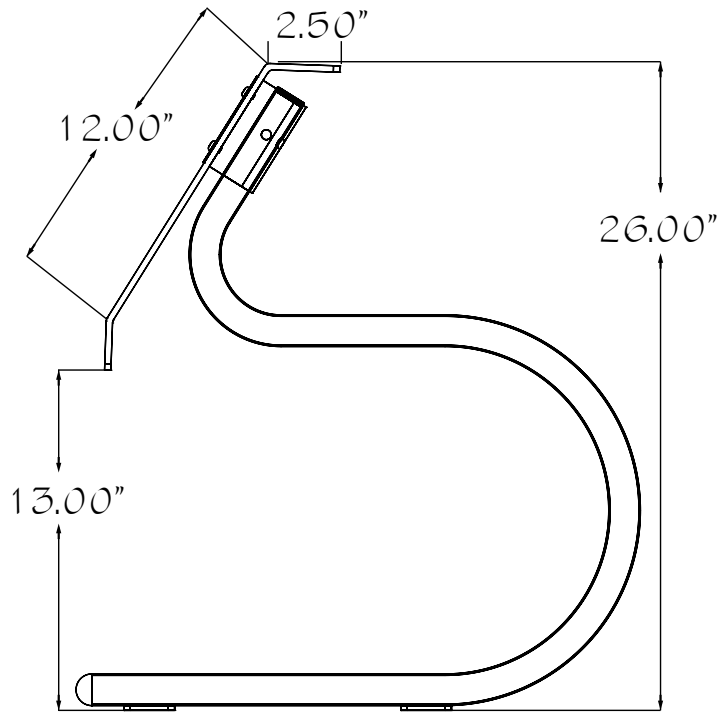


ANSI/NSF 2

* Images are computer renderings, not actual photos, some color variance may occur from what is rendered to the actual powder coat finish.

Phone: 800-569-2056
Fax: 573-449-7126
www.sneezeguardsolutions.com

SPECIFICATIONS



CLEARVUE GUARD

<i>White w/ black vein</i>	<i>Nominal Length</i>	<i>Overall Length</i>	<i>Between Stands</i>	<i>Weight</i>
1520	2 foot*	24"	17.75"	8 lbs
1530	3 foot*	36"	29.75"	9 lbs
1540	4 foot	48"	41.75"	10 lbs
1550	5 foot	60"	53.75"	13 lbs
1560	6 foot	72"	65.75"	14 lbs

**One leg does not lock in a closed position due to short length of guard.*