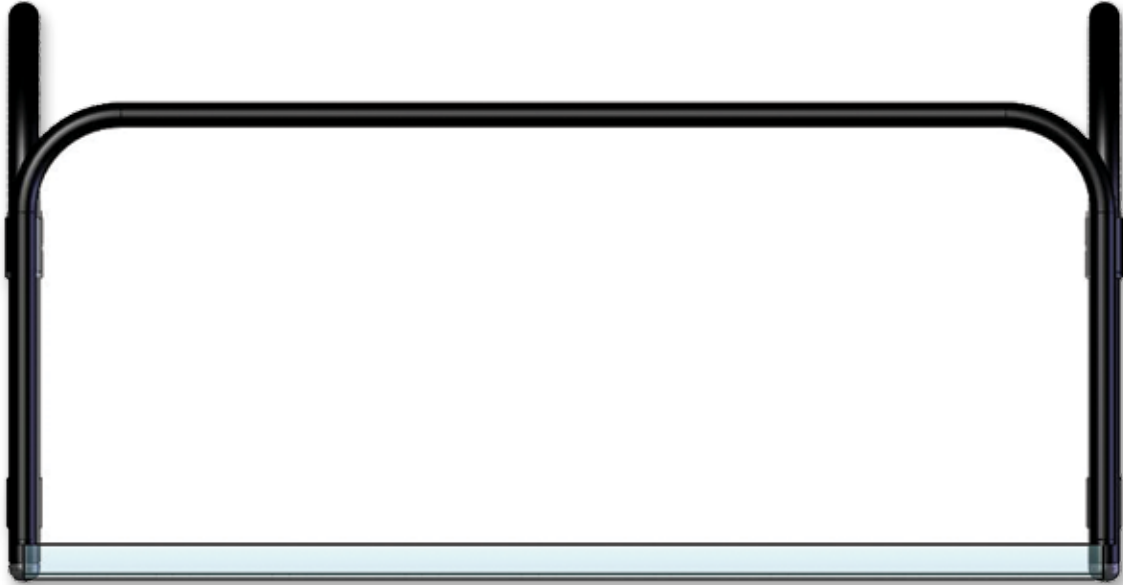
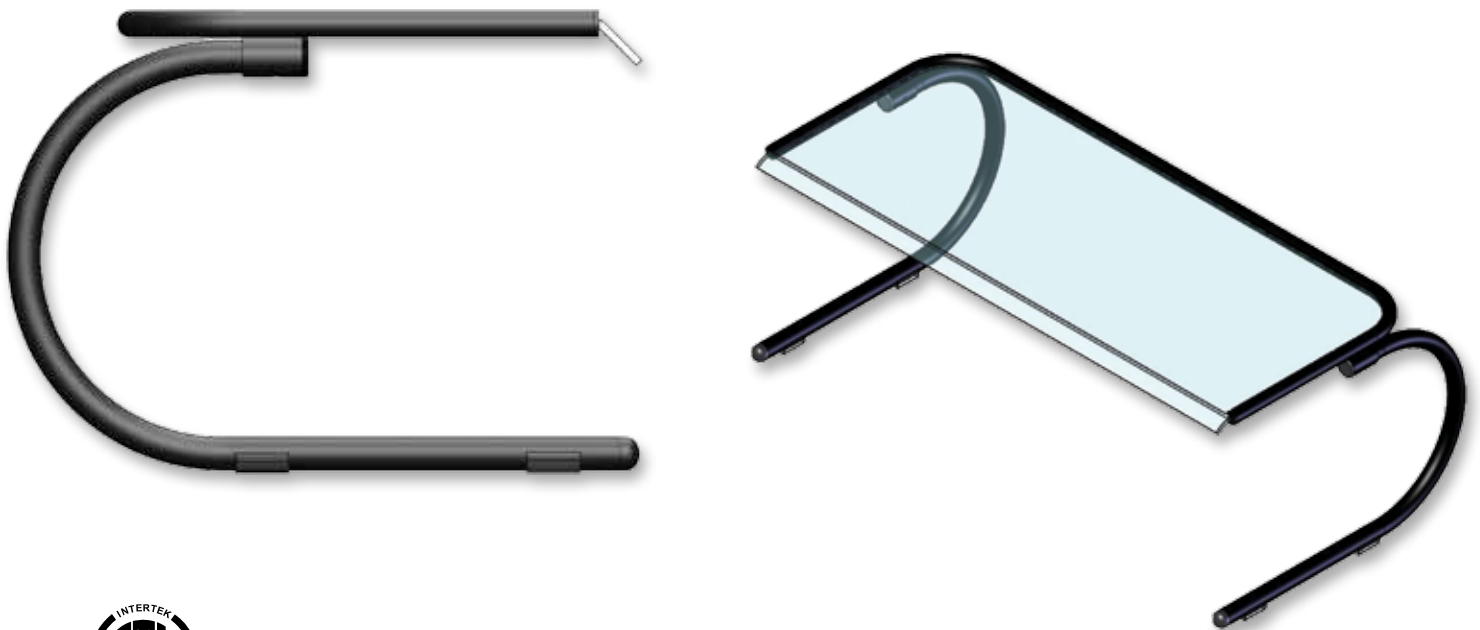


FOLDING PORTABLE DISPLAY SNEEZE GUARD



Meets Service and Self-Service Requirements

DISPLAY GUARD

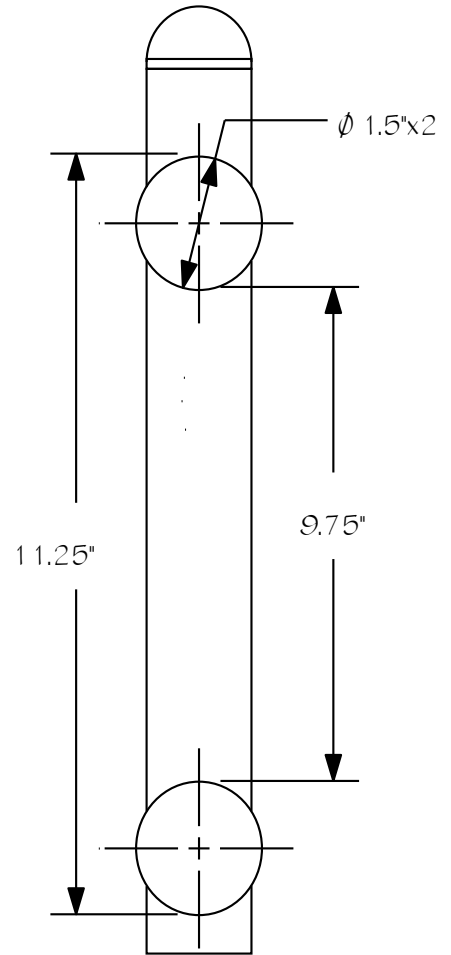
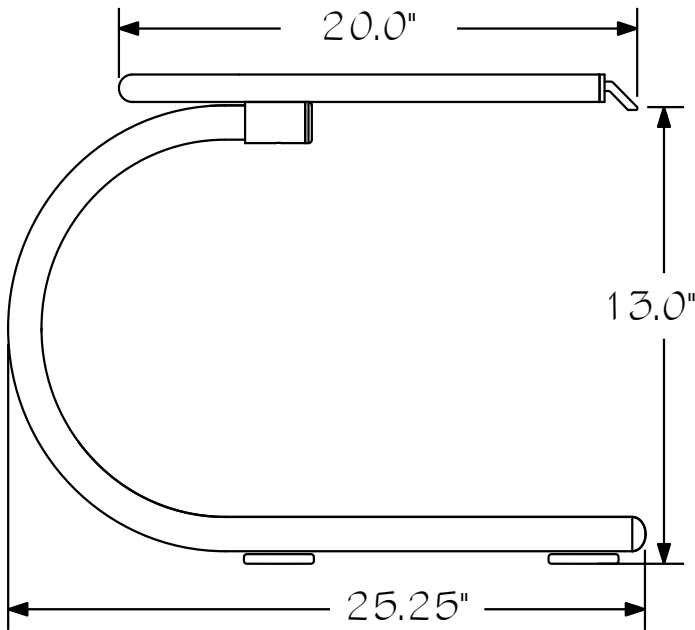


ANSI/NSF 2

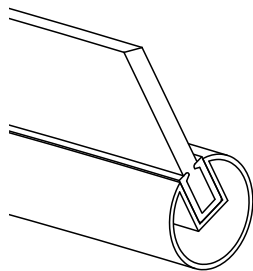
* Images are computer renderings, not actual photos, some color variance may occur from what is rendered to the actual powder coat finish.

Phone: 800-569-2056
Fax: 573-449-7126
www.sneezeguardsolutions.com

SPECIFICATIONS



DISPLAY GUARD



- Exclusive extruded 1" Groove Tube
- Mounted in rubber gasket
- 1.25" aluminum stands
- Powder coated finish

<i>Black</i>	<i>Nominal Length</i>	<i>Overall Length</i>	<i>Between Stands</i>	<i>Weight</i>
0841	2 foot*	25.5"	20.5"	8 lbs
0941	3 foot*	34.75"	29.75"	9 lbs
1041	4 foot	46.75"	41.75"	10 lbs
1141	5 foot	58.75"	53.75"	13 lbs
1241	6 foot	70.75"	65.75"	14 lbs

**One leg does not lock in a closed position due to short length of guard.*