

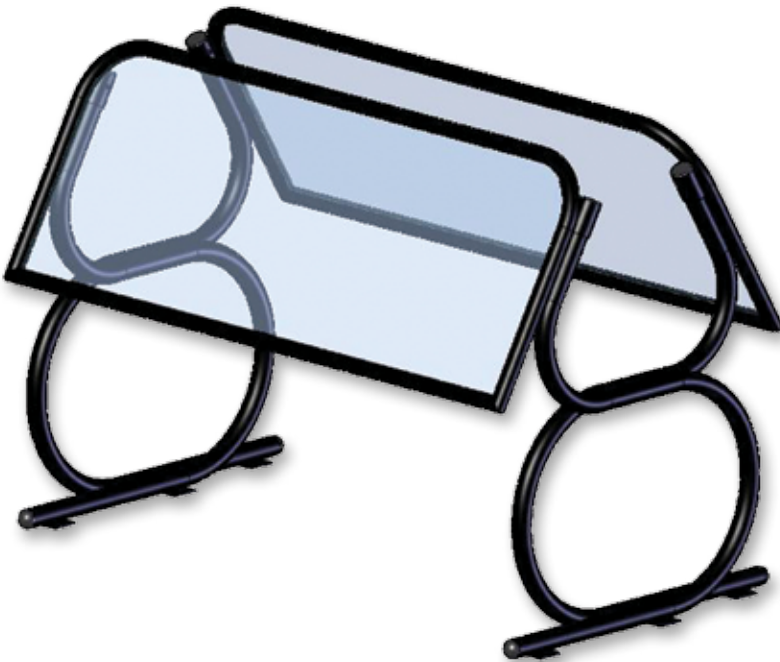
# FOLDING PORTABLE SNEEZE GUARD



*Concerned about how to store  
your sneeze guards  
to prevent damage?*

*Storage and handling  
solutions are available.*

- *Use 1 for single sided service or 2 back to back for double sided table service.*
- *13" Wrist Clearance.*
- *Designed to fit standard sized banquet tables.*
- *For use when food is not elevated above table.*



ANSI/NSF 2

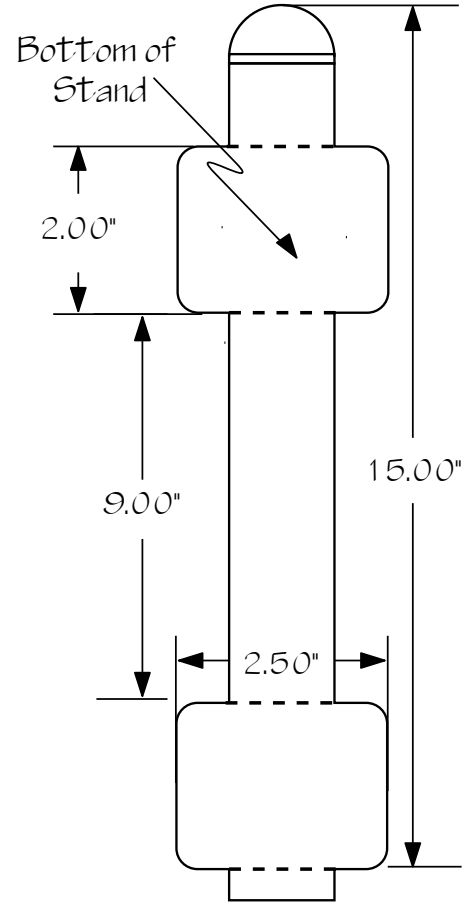
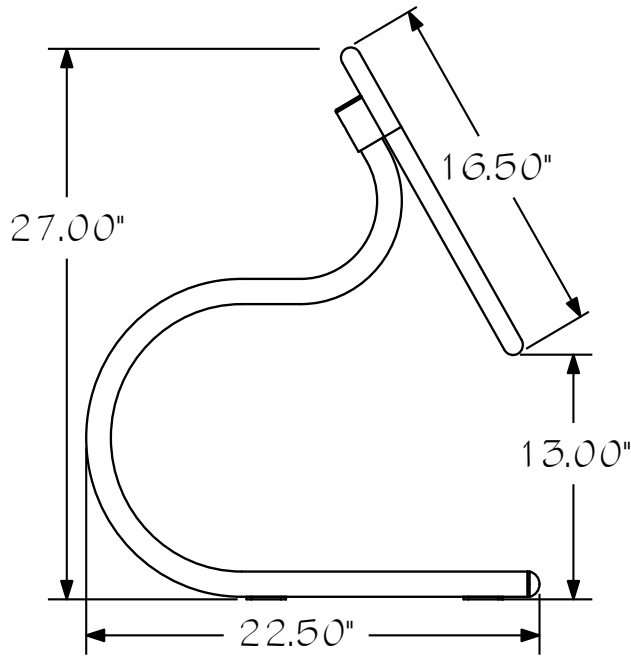
\* Images are computer renderings, not actual photos, some color variance may occur from what is rendered to the actual powder coat finish.

Phone: 800-569-2056

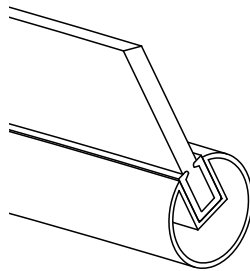
Fax: 573-449-7126

[www.sneezeguardsolutions.com](http://www.sneezeguardsolutions.com)

# SPECIFICATIONS



FOLDING PORTABLE



- Exclusive extruded 1" Groove Tube
- Mounted in rubber gasket
- 1.25" aluminum stands
- Scratch resistant acrylic food shield
- Powder coated finish

| <i>Black</i> | <i>Gold</i> | <i>Nominal Length</i> | <i>Overall Length</i> | <i>Between Stands</i> | <i>Weight</i> |
|--------------|-------------|-----------------------|-----------------------|-----------------------|---------------|
| 0801         | 0802        | 2 foot*               | 25.5"                 | 20.5"                 | 8 lbs         |
| 0901         | 0902        | 3 foot*               | 34.75"                | 29.75"                | 9 lbs         |
| 1001         | 1002        | 4 foot                | 46.75"                | 41.75"                | 10 lbs        |
| 1101         | 1102        | 5 foot                | 58.75"                | 53.75"                | 13 lbs        |
| 1201         | 1202        | 6 foot                | 70.75"                | 65.75"                | 14 lbs        |
| 1281         | 1282        | 8 foot                | 94.75"                | 89.75"                | 18 lbs        |

*\*One leg does not lock in a closed position due to short length of guard.*

*Silver available upon request    Call for quote on substituting tempered glass for Acrylic food shield.*